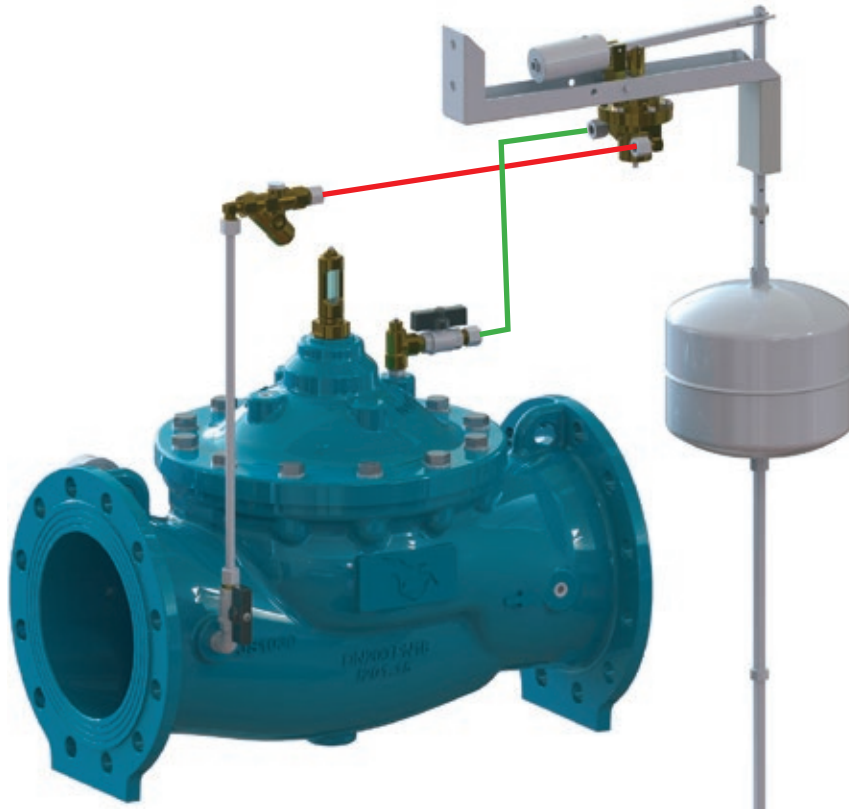


M3600 • FLOAT CONTROLLED ON-OFF VALVE



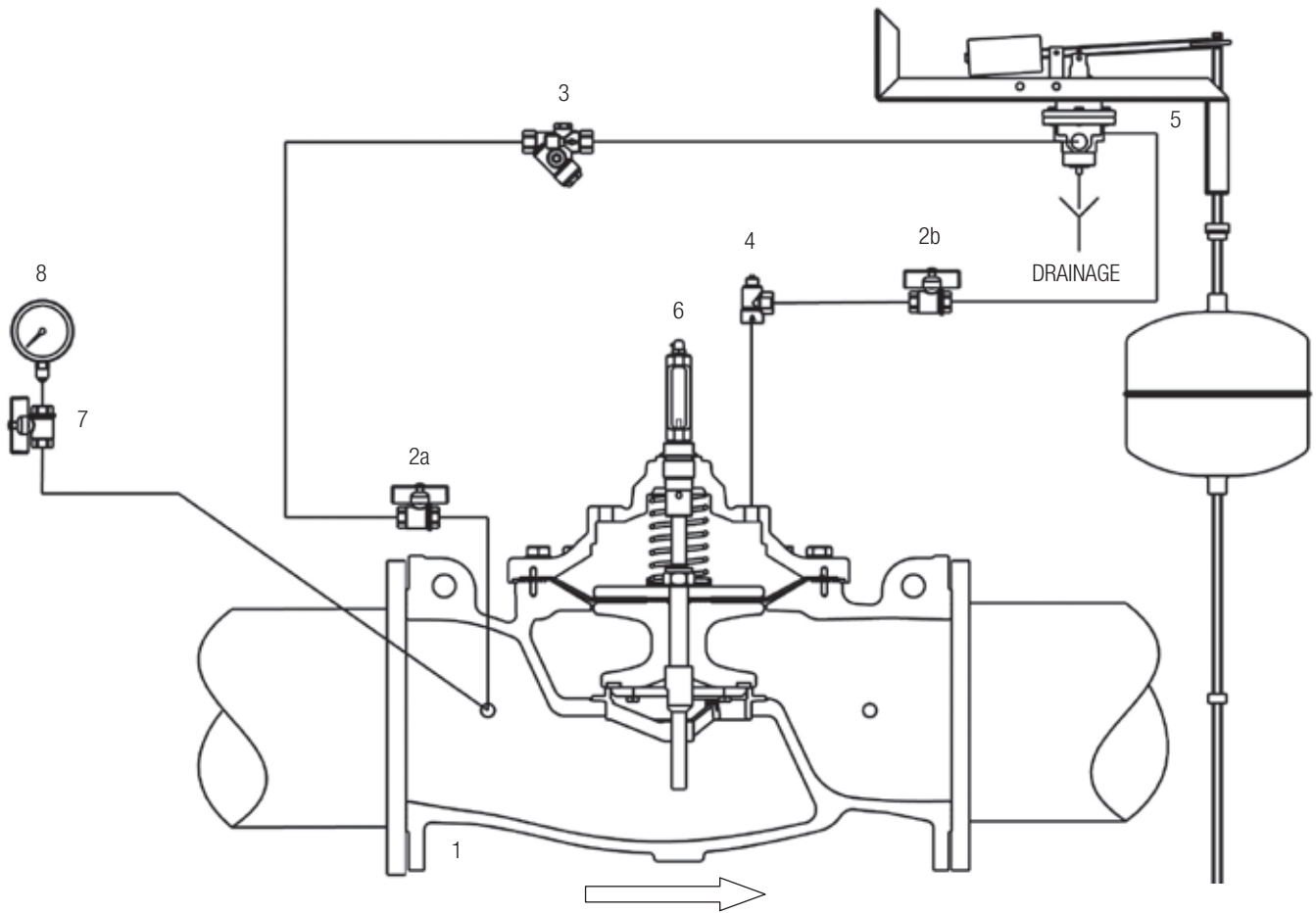
OPERATING PRINCIPLE

The valve controls the minimum (valve opens) and maximum (valve close) water levels in a reservoir using a three-way float pilot. The two trigger levels are easily adjusted by moving the clamps on the float extension rod. Adjustment is between a minimum of 10 cm to a maximum of about 90 cm.

ADDITIONAL FUNCTIONS

- pressure sustaining;
- shut-off with electrical remote control;
- non-return;
- anti-freeze device;
- flow rate control;
- pressure reduction with dissipated plate;
- relief function.

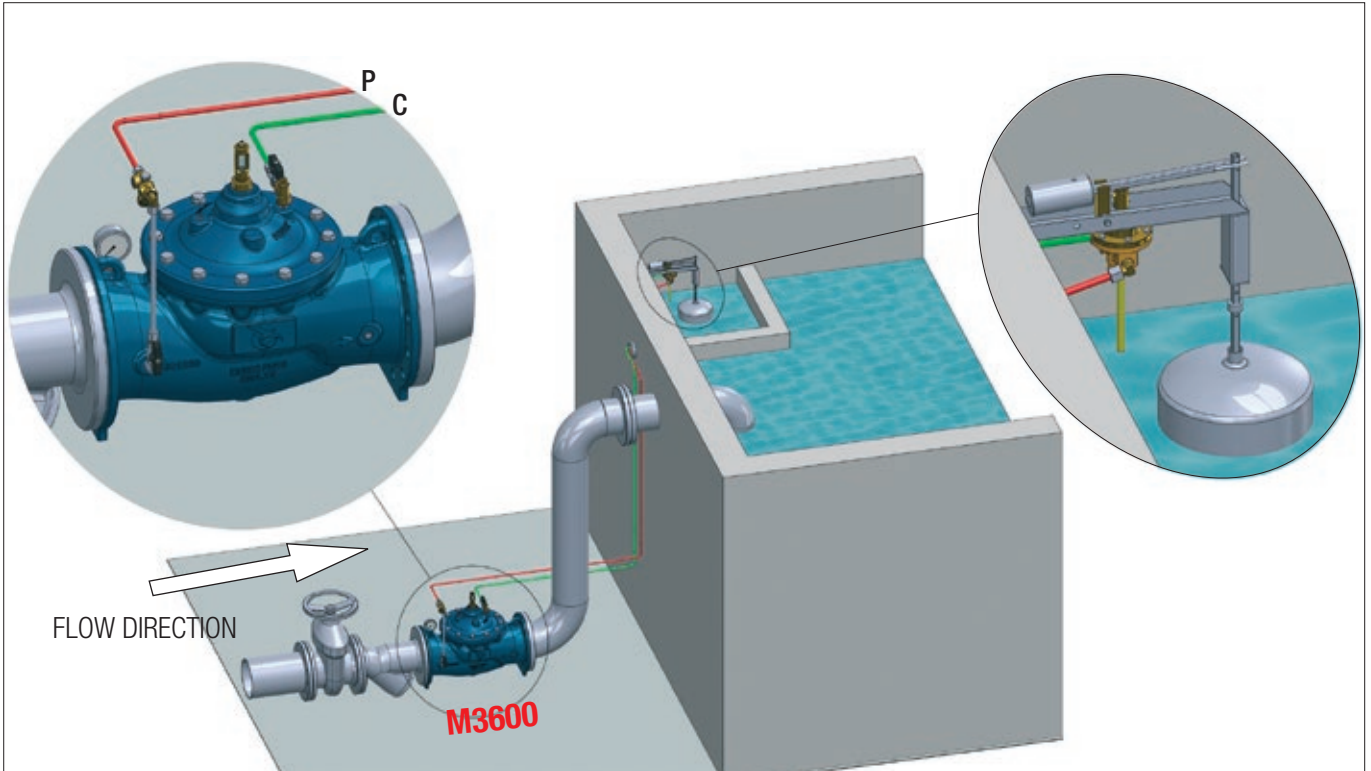
CIRCUIT AND MATERIALS



ITEM	DESCRIPTION	MATERIALS
1	Main valve	GJS400-15 EN1563
2 (a,b)	Isolating ball valve	Ni-plated Brass
3	Y - strainer with calibrated orifice	1.4401 EN10088-3 + Brass
4	Bidirectional needle valve	1.4401 EN10088-3 + Brass
5	CL600 on-off float pilot	1.4301 EN10088-3 + Brass
6	Position indicator with manual venting cock	Brass + Hardened glass
7	Gauge holder with drainage	Ni-plated Brass
8	Pressure gauge	1.4301 EN10088-3 + Glycerine
--	Pipe	1.4401 EN10088-3
--	Fittings	1.4401 EN10088-3
--	Compression fittings	1.4401 EN10088-3 + Brass

INSTALLATION: TYPE A

IN-TANK INSTALLATION. (Float located in a calm zone)



INSTALLATION: TYPE B

OUT-OF-TANK INSTALLATION

