



PN 10/16 - Art. D114GS EPDM Q2

PN 10/16 - Art. D114GS NBR Q2

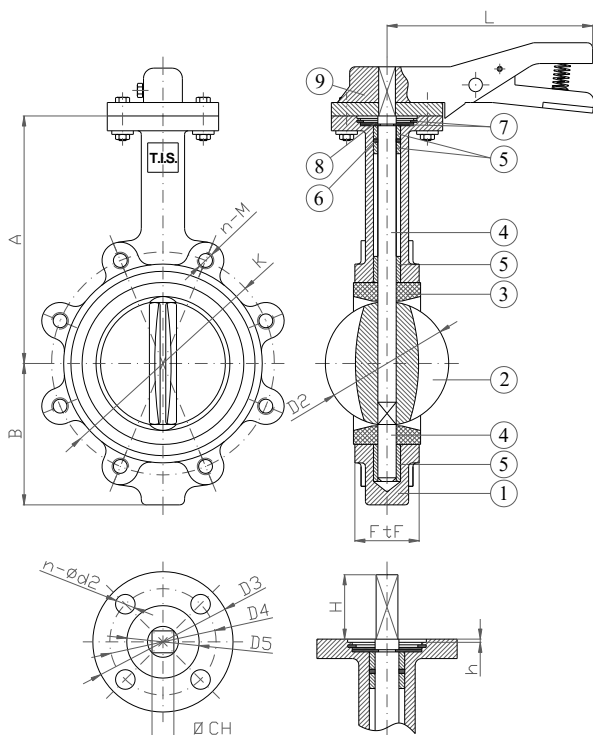
## VALVOLA A FARFALLA LUG DA DN40 A DN200 PN10-PN16 LUG BUTTERFLY VALVE FROM DN40 TO DN200 PN10-PN16

### APPLICAZIONE:

Impianti idrici, riscaldamento, condizionamento e antincendio.

### APPLICATION:

Water systems, heating, conditioning and fire prevention.



### CARATTERISTICHE PRINCIPALI - MAIN FEATURES

<b>NORMA PROGETTO:</b>	EN 593, EN 1074-1 ed EN 1074-2
<b>SCARTAMENTO:</b>	EN 558 Serie 20
<b>FLANGE:</b>	EN 1092-2
<b>COLLAUDI:</b>	EN 12266-1
<b>FLANGIA SUPERIORE:</b>	ISO 5211
<b>TEMPERATURA ESERCIZIO:</b>	EPDM ≤ +120°C    NBR ≤ +80°C
<b>DESIGN STANDARD:</b>	EN 593, EN 1074-1 ed EN 1074-2
<b>FACE TO FACE:</b>	EN 558 Serie 20
<b>FLANGES:</b>	EN 1092-2
<b>TESTS:</b>	EN 12266-1
<b>TOP FLANGE:</b>	ISO 5211
<b>WORKING TEMPERATURE:</b>	EPDM ≤ +120°C    NBR ≤ +80°C

	COMPONENTI PARTS	MATERIALI MATERIALS
1	CORPO BODY	EN-GJS 400-15 EN-GJS 400-15
2	DISCO DISC	EN-GJS 400-15 EN-GJS 400-15
3	TENUTA SEAT	GOMMA EPDM (a richiesta NBR) EPDM COATED (NBR on request)
4	ALBERO STEM	ACC. INOX AISI 420 (EN 1.4021) SS AISI 420 (EN 1.4021)
5	BOCCOLA BUSHING	FIBRA DI VETRO + PTFE FIBERGLASS + PTFE
6	O-RING O-RING	NBR NBR
7	SEMI-ANELLO CIRCLIP	ACCIAIO STEEL
8	RONDELLA WASHER	OTTONE BRASS
9	LEVA LEVER	EN-GJL 250 EN-GJL 250

### RIVESTIMENTO - COATING

Esterno con polvere epossidica di colore blu RAL 5015 e spessore 250µm.

External FBE coating process with epoxy resin powder of blue colour RAL 5015 and thickness of 250µm.

DN	K	n-ød		D2	D3	D4	D5	n-ød2	h	CH	H	A	B	L	FtF	Kv	W (kg)
		PN10	PN16														
40	110	4-M16	4-M16	43	65	50	35	4-7	3	11	32	140	70	221	33	78	3,0
50	125	4-M16	4-M16	52	90	70	50	4-9	4	11	32	161	80	260	43	98	4,0
65	145	4-M16	4-M16	64	90	70	50	4-9	4	11	32	175	89	260	46	167	4,7
80	160	8-M16	8-M16	79	90	70	50	4-9	4	11	32	181	95	260	46	258	5,5
100	180	8-M16	8-M16	104	90	70	50	4-9	4	14	35	200	114	260	52	512	7,8
125	210	8-M16	8-M16	123	90	70	50	4-9	4	14	35	213	127	260	56	872	10,5
150	240	8-M20	8-M20	155	90	70	50	4-9	4	14	35	226	140	260	56	1347	11,7
200	295	8-M20	12-M20	202	125	102	70	4-12	4	17	40	260	175	355	60	2675	18,0