



PN 10/16 - ART. D102 EPDM Q2

PN 10/16 - ART. D106 EPDM Q2



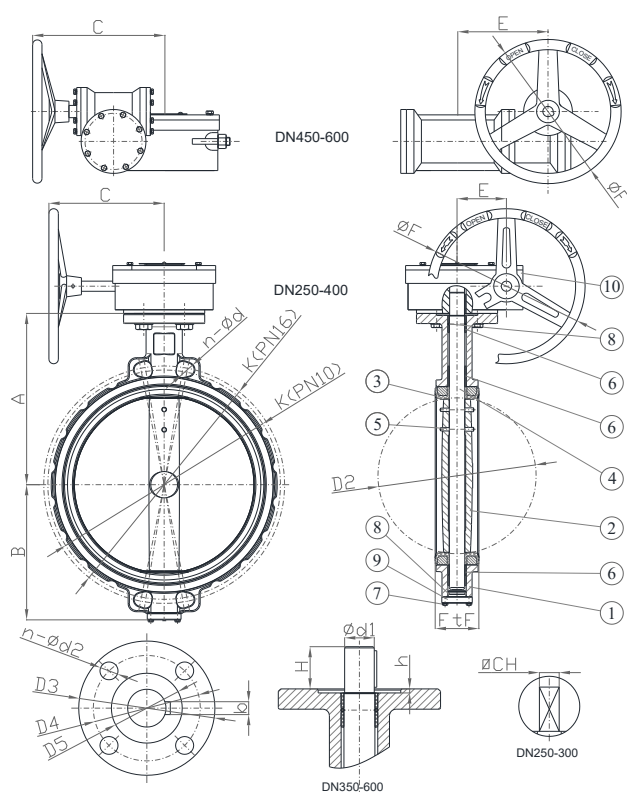
VALVOLA A FARFALLA WAFER DA DN250 A DN600 PN10/PN16
WAFER BUTTERFLY VALVE FROM DN250 TO DN600 PN10/PN16

APPLICAZIONE:

Fornitura, raccolta, distribuzione di acqua potabile. Impianti idrici, riscaldamento, condizionamento e antincendio.

APPLICATION:

Supply, collection, distribution of drinkable water. Water systems, heating, conditioning and fire prevention.



CARATTERISTICHE PRINCIPALI - MAIN FEATURES

| | |
|-------------------------------|--------------------------------|
| NORMA PROGETTO: | EN 593, EN 1074-1 ed EN 1074-2 |
| SCARTAMENTO: | EN 558 Serie 20 |
| FLANGE: | EN 1092-2 |
| COLLAUDI: | EN 12266-1 |
| FLANGIA SUPERIORE: | ISO 5211 |
| TEMPERATURA ESERCIZIO: | EPDM ≤ +120°C NBR ≤ +80°C |
| DESIGN STANDARD: | EN 593, EN 1074-1 ed EN 1074-2 |
| FACE TO FACE: | EN 558 Serie 20 |
| FLANGES: | EN 1092-2 |
| TESTS: | EN 12266-1 |
| TOP FLANGE: | ISO 5211 |
| WORKING TEMPERATURE: | EPDM ≤ +120°C NBR ≤ +80°C |

| | COMPONENTI PARTS | MATERIALI MATERIALS | |
|----|--------------------|--|--------------------------------|
| | | Art. D102 | Art. D106 |
| 1 | CORPO BODY | EN-GJS 400-15 EN-GJS 400-15 | EN-GJS 400-15 EN-GJS 400-15 |
| 2 | DISCO DISC | INOX AISI 316 SS AISI 316 | INOX AISI 304 SS AISI 304 |
| 3 | TENUTA SEAT | GOMMA EPDM (a richiesta NBR) EPDM COATED (NBR on request) | |
| 4 | ALBERO STEM | ACC. INOX AISI 420 (EN 1.4021) SS AISI 420 (EN 1.4021) | |
| 5 | PERNO PIN | ACC. INOX AISI 420 (EN 1.4021) SS AISI 420 (EN 1.4021) | |
| 6 | BOCCOLA BUSHING | FIBRA DI VETRO + PTFE FIBERGLASS + PTFE | |
| 7 | VITI SCREWS | ACCIAIO INOX A2-70 STAINLESS STEEL A2-70 | |
| 8 | O-RING O-RING | NBR NBR | |
| 9 | COPERCHIO COVER | EN-GJS 400-15 EN-GJS 400-15 | |
| 10 | RIDUTTORE GEAR BOX | EN-GJL 250 EN-GJL 250 | |

RIVESTIMENTO - COATING

Esterno con polvere epossidica di colore blu RAL 5015 e spessore 250µm.
 External FBE coating process with epoxy resin powder of blue colour RAL 5015 and thickness of 250µm.

| DN | K | | n-ød | | D2 | D3 | D4 | D5 | n-ød2 | h | CH | ød1 | b | H | A | B | C | E | F | FtF | Kv | W (kg) |
|-----|------|------|-------|-------|-----|-----|-----|-----|-------|---|----|-----|----|----|-----|-----|-----|-----|-----|-----|-------|--------|
| | PN10 | PN16 | PN10 | PN16 | | | | | | | | | | | | | | | | | | |
| 250 | 350 | 355 | 12-23 | 12-28 | 250 | 125 | 102 | 70 | 4-12 | 4 | 22 | - | - | 40 | 292 | 220 | 207 | 66 | 280 | 68 | 4555 | 30,5 |
| 300 | 400 | 410 | 12-23 | 12-28 | 301 | 140 | 102 | 70 | 4-12 | 4 | 22 | - | - | 45 | 337 | 255 | 195 | 77 | 280 | 78 | 7037 | 41,5 |
| 350 | 460 | 470 | 16-23 | 16-28 | 333 | 150 | 125 | 85 | 4-14 | 4 | - | 28 | 8 | 52 | 368 | 267 | 195 | 77 | 280 | 78 | 10165 | 64,0 |
| 400 | 515 | 525 | 16-28 | 16-31 | 389 | 197 | 140 | 100 | 4-18 | 5 | - | 36 | 10 | 52 | 400 | 298 | 280 | 120 | 380 | 102 | 13799 | 74,0 |
| 450 | 565 | 585 | 20-28 | 20-31 | 440 | 197 | 140 | 100 | 4-18 | 5 | - | 42 | 12 | 52 | 422 | 317 | 255 | 174 | 285 | 114 | 18514 | 124 |
| 500 | 620 | 650 | 20-28 | 20-34 | 491 | 197 | 140 | 100 | 4-18 | 5 | - | 42 | 12 | 65 | 480 | 361 | 255 | 174 | 285 | 127 | 23805 | 149 |
| 600 | 725 | 770 | 20-31 | 20-37 | 592 | 276 | 165 | 130 | 4-22 | 5 | - | 50 | 16 | 70 | 562 | 447 | 280 | 212 | 285 | 154 | 36778 | 266 |